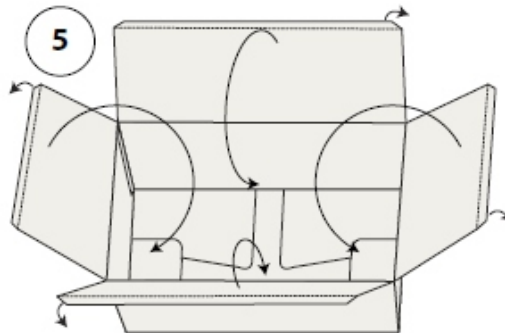
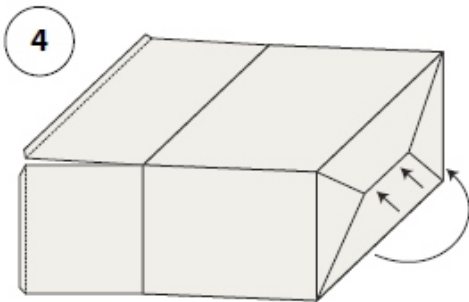
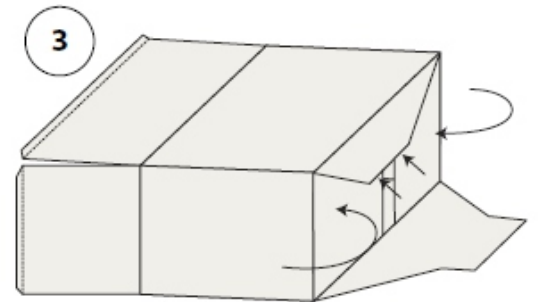
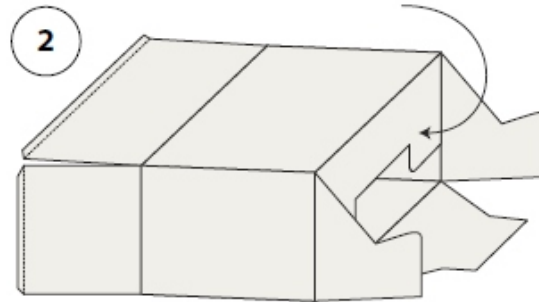
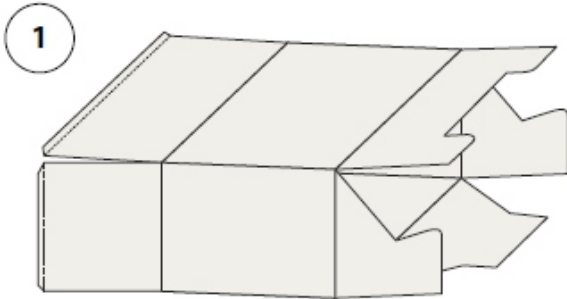
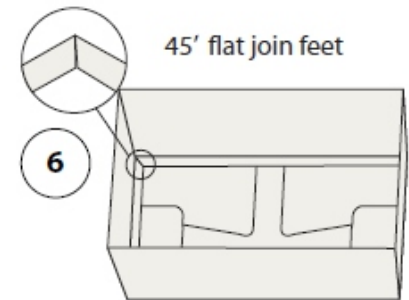


Note:
Please pre-fold along all creases before beginning the first step.



rotated view to see inside



Push lock base - double wall 45 locking feet